

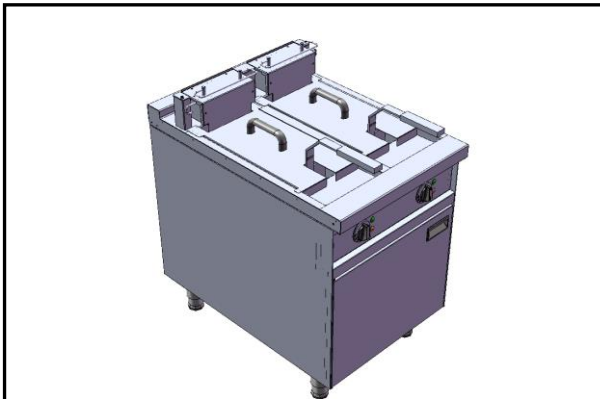


Total Food-Service Solutions

Modular Cooking –Grandis 900

Electric Fryer

NEF 6-90 GR



*Due to routine technical improvement, the photograph shown may not represent the latest design of the products.

AVAILABLE MODEL

1. NEF 6-90 GR

DESCRIPTION

Electric Fryer with 27 kW power rate. The heater placed in the tank. The tank can be tilt up for cleaning purpose since it has tilting mechanism. Oil temperature maintained by thermostat with maximum working temperature of 190°C.

Unit to be installed on cabinet or similar elements, cantilever, or solid block solutions. Featuring removable clip joint to connect Grandis family product.

ITEM# : _____

MODEL# : _____

NAME : _____

SN : _____

MAIN FEATURE

- Double tanks configuration.
- Capacity of 14 liter and 13.5 kW each tank.
- Swiveling heating element for ease of cleaning.
- Maximum working temperature of 190°C.

CONSTRUCTION

- All exterior panels in 304 type of Stainless Steel
- Orbital top panel anti-scratch finishing.
- Top with 2.0 mm thick surface.
- Side with 0.8 mm thick surface.
- Adjustable ±25 mm Stainless Steel leg.
- Certified IPX4 protection

INCLUDED ACCESSORIES

- Basket Fryer
- Lid Fryer Tank

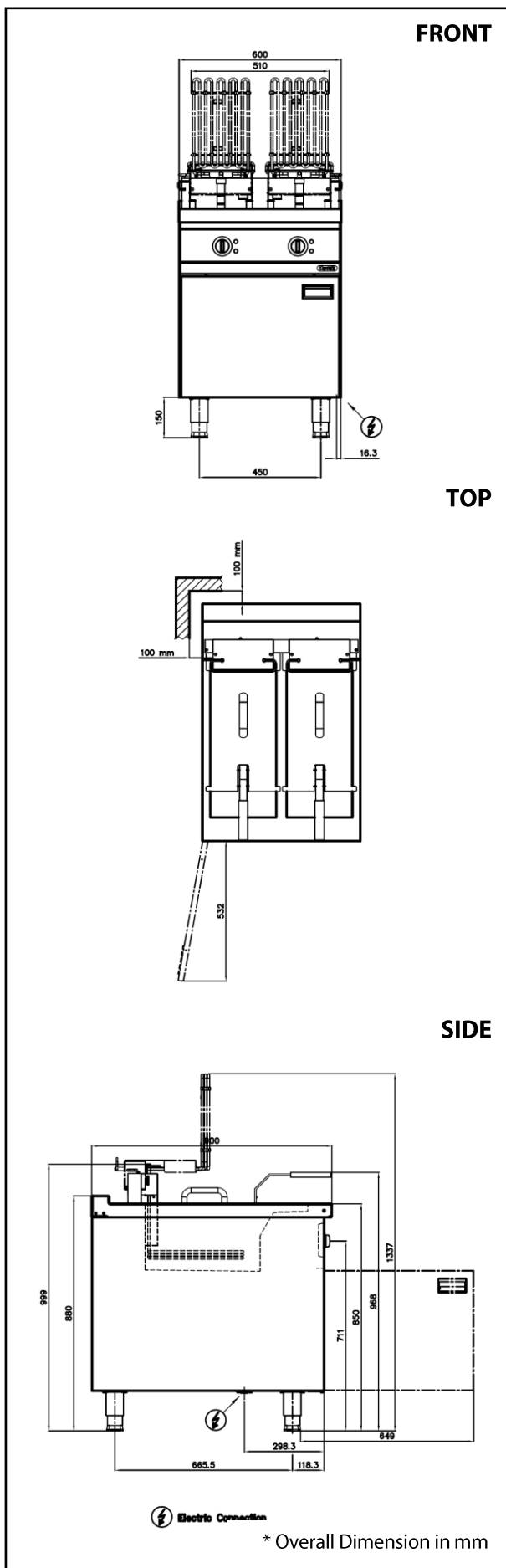
OPTIONAL ACCESSORIES

- Clip Plate for Joining

: _____

The company reserves the right to make modifications to the products without prior notice. All information correct at time of printing. 2017.12.18





ELECTRIC

Electrical rating (kW)	:	27
Element rating (kW)	:	27
Electrical supply voltage	:	400V 3N
Required electrical supply (amps):		41
Electrical current split (amps) :		L1: 41
		L2: 41
		L3: 41

KEY INFORMATION

Cooking surface width	:	250 mm
Cooking surface depth	:	430 mm
Direct heat emission	:	2.43 kW
Latent heat emission	:	18.90 kW
Steam emission	:	27.81 kg / h
Min. working temperature	:	120°C
Max. working temperature	:	190°C
Tank Volume	:	2 x 14 L
Net weight	:	80 kg
Shipping height	:	1020 mm
Shipping width	:	655 mm
Shipping depth	:	995 mm
Shipping volume	:	0.665 m ³